

AMBER_4S

PRODUCTION DATE

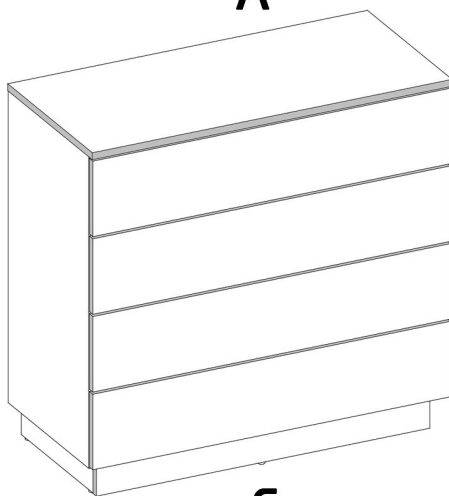
PACKING CODE



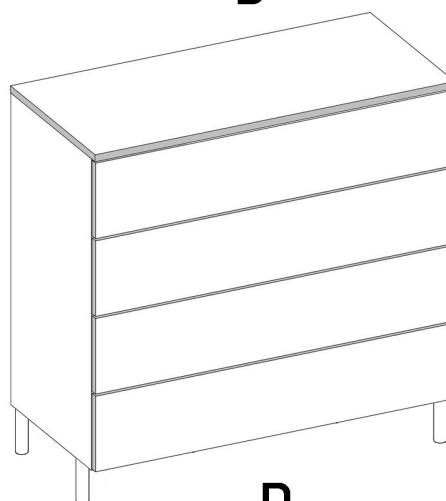
A



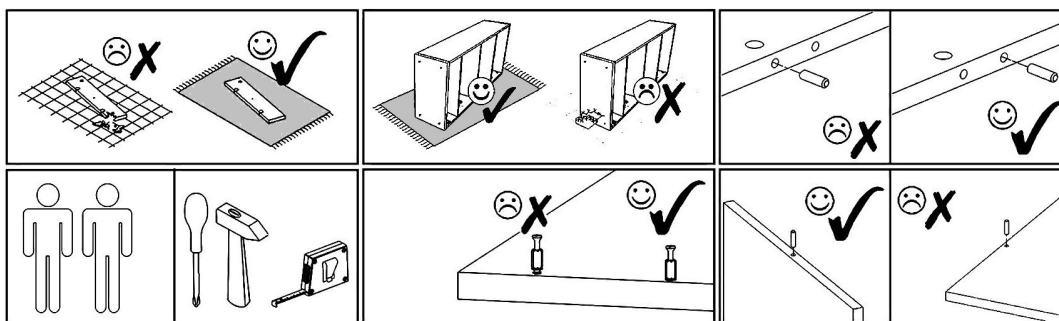
B



C



D



B1 B ø17/4mm x8	V13 x1	V12 GLUE x1
----------------------------------	----------------------	------------------------------

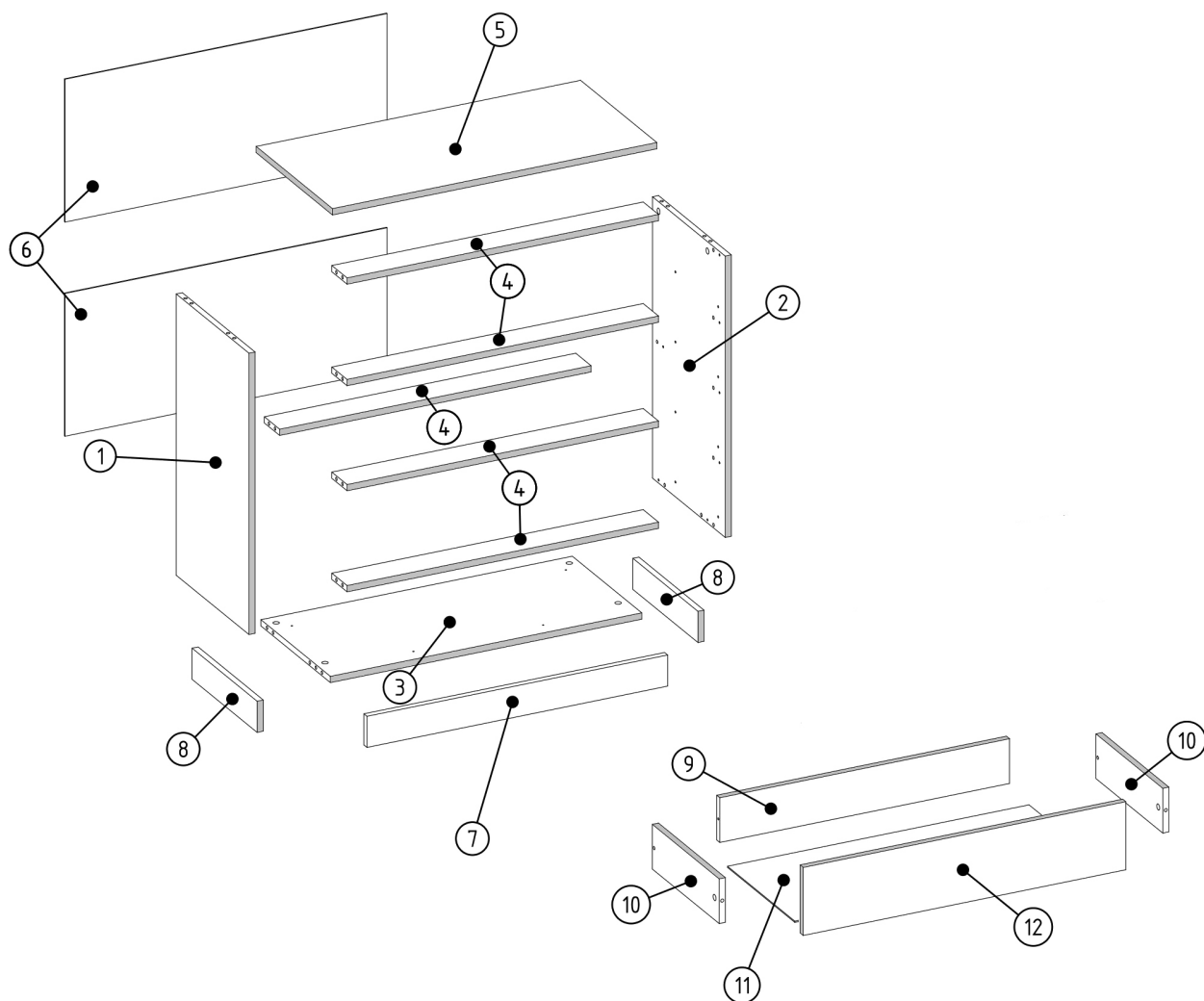
N1 L=35mm x26	S1 3,5x16mm x40	R7 4x27mm x8	T1 x5	U6 L=208/160 x4	T6 H=100mm x4	V62 x8	V25 x4
-----------------------------	-------------------------------	----------------------------	---------------------	-------------------------------	-----------------------------	----------------------	----------------------

F1 7x50mm x8	F3 Hex 4mm x1	E1 8x30mm x24	Z1 x80	R1 6x8mm x16	S9 4x16mm x12	P3 L=350mm x4	M1 12x15mm x26
----------------------------	-----------------------------	-----------------------------	----------------------	----------------------------	-----------------------------	-----------------------------	------------------------------

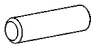




AMBER_4S

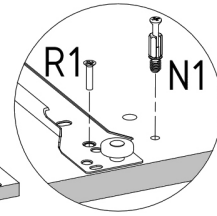
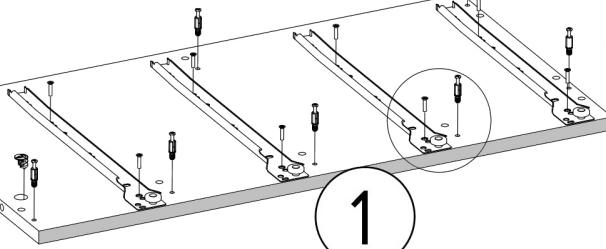
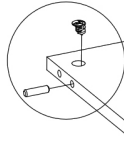
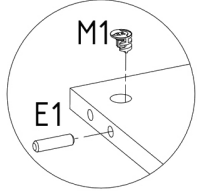
PRODUCTION DATE

PACKING CODE

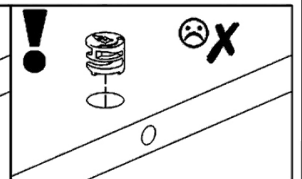
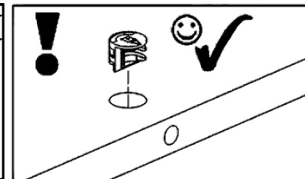
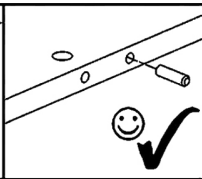
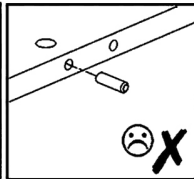
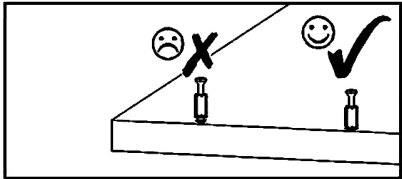


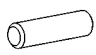




001794	12	4
001789	11	4
000053	10	8
001788	9	4
001795	8	2
001796	7	1
001793	6	2
001790	5	1
001792	4	5
001791	3	1
001797	2	1
001798	1	1
ID	NUMBER	QUANTITY

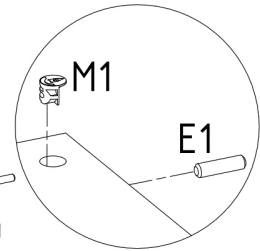
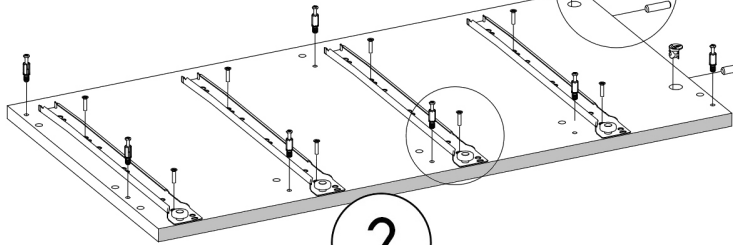
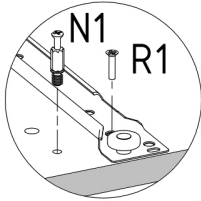
E1  8x30mm	M1  12x15mm	N1  L=35mm	P3  L=350mm	R1  6x8mm
x2	x2	x7	x4	x8



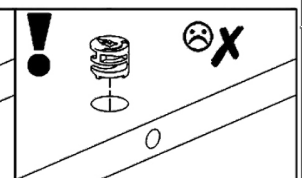
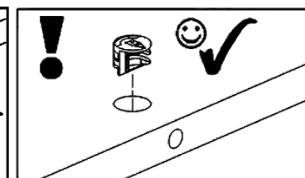
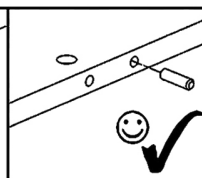
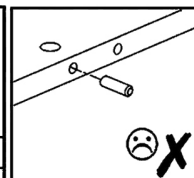
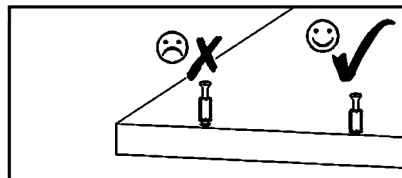
1

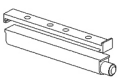


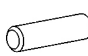


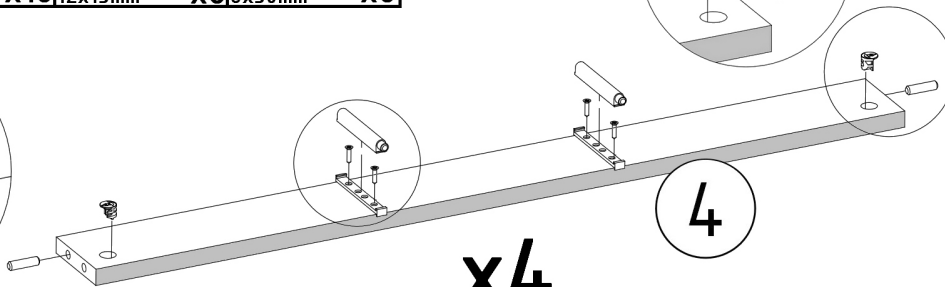
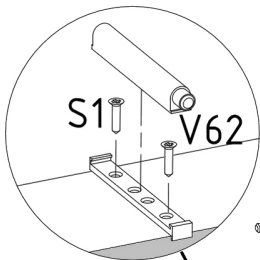
E1  8x30mm	M1  12x15mm	N1  L=35mm	P3  L=350mm	R1  6x8mm
x2	x2	x7	x4	x8



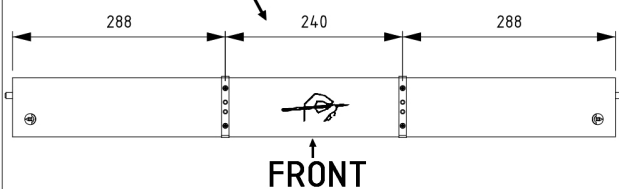
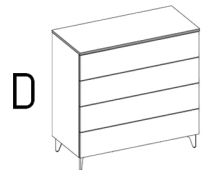
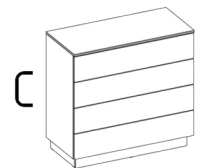
2

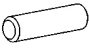



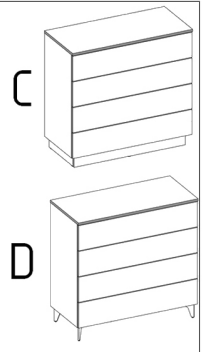
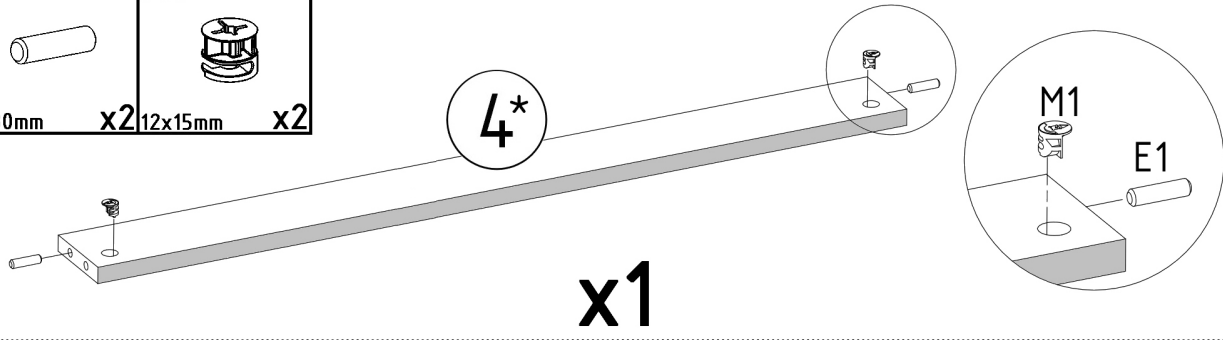
V62  3.5x16mm	S1  16mm	M1  12x15mm	E1  8x30mm
x8	x16	x8	x8

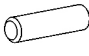



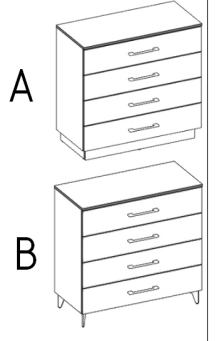
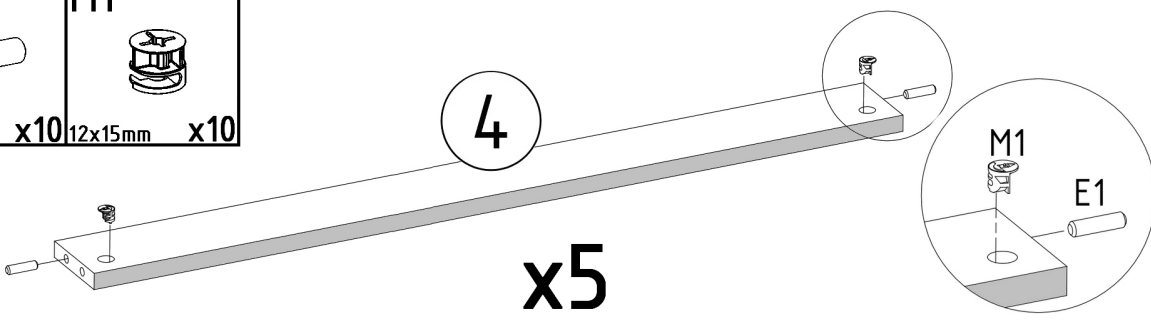
4


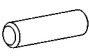


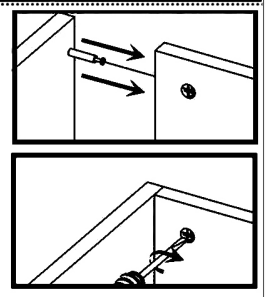
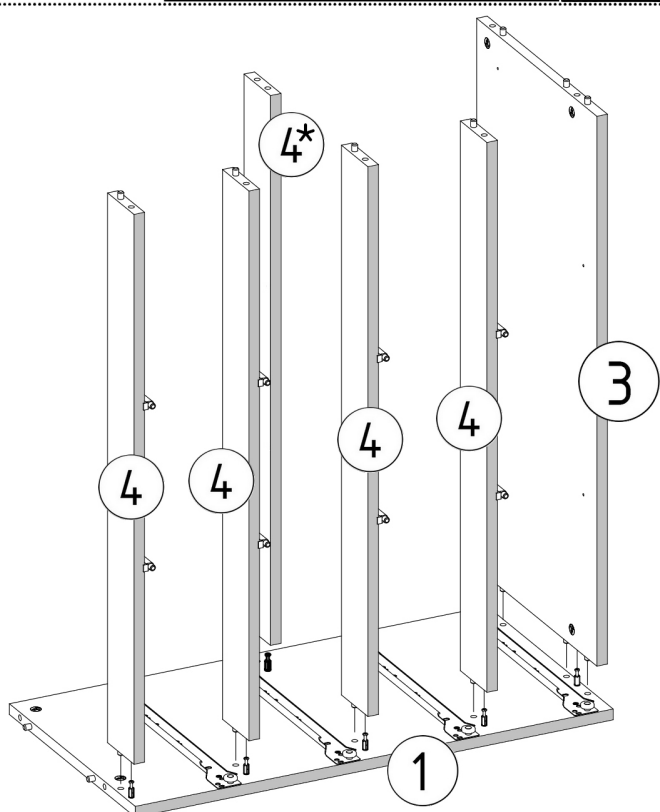
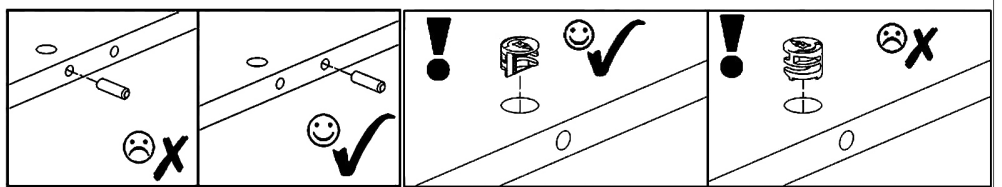
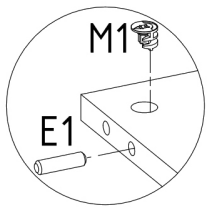
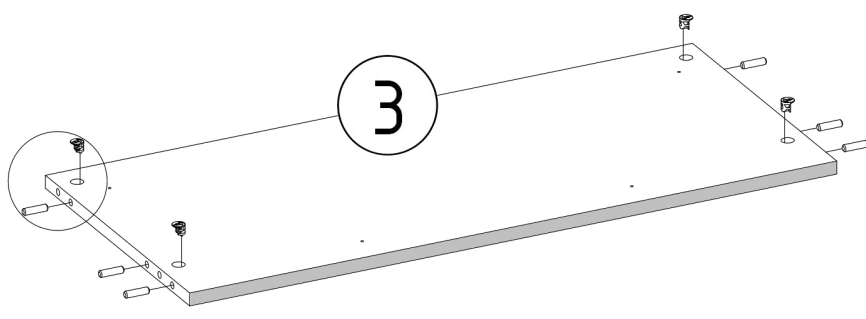
E1  8x30mm	M1  12x15mm
x2	x2

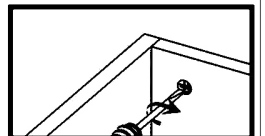
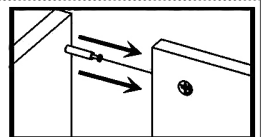
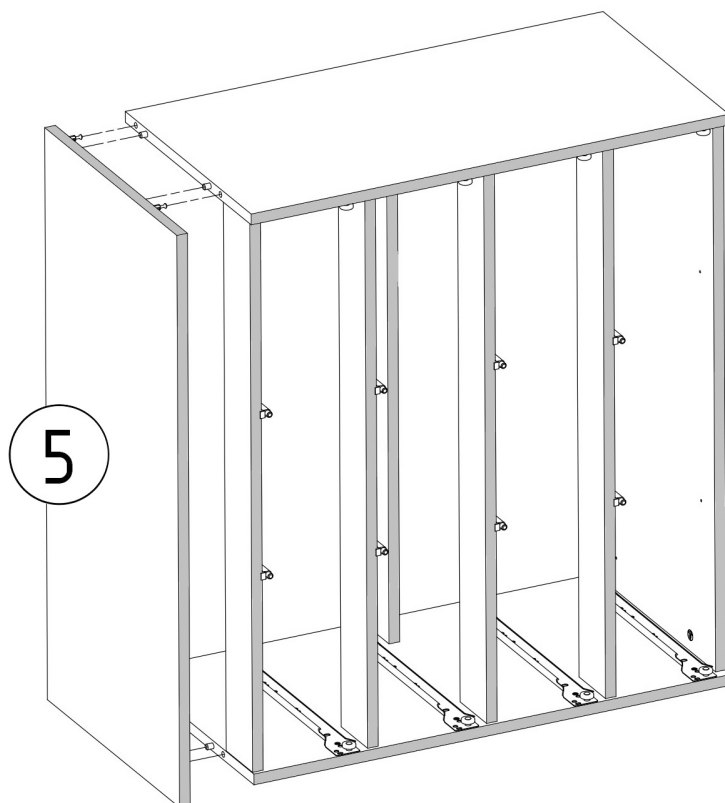
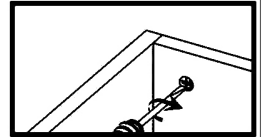
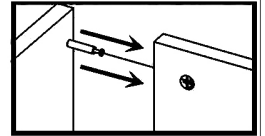
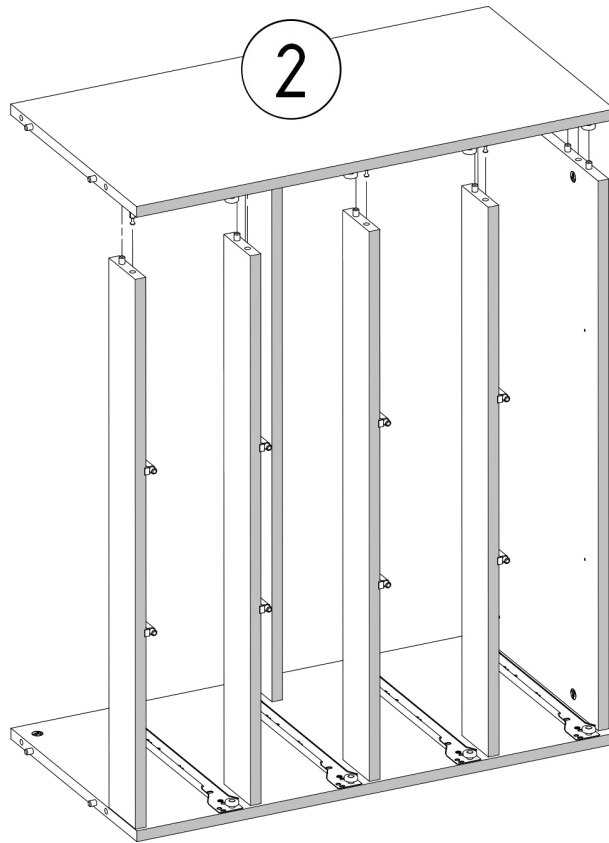
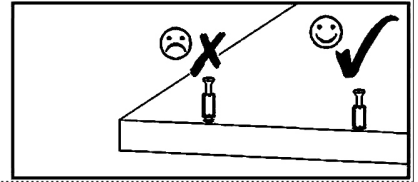
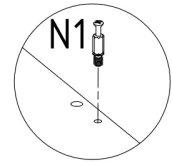
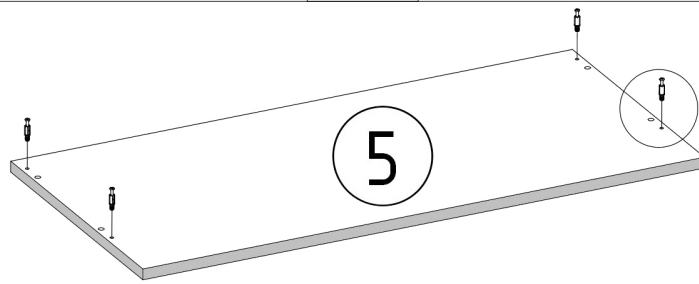
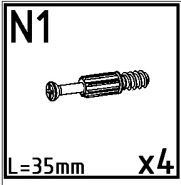


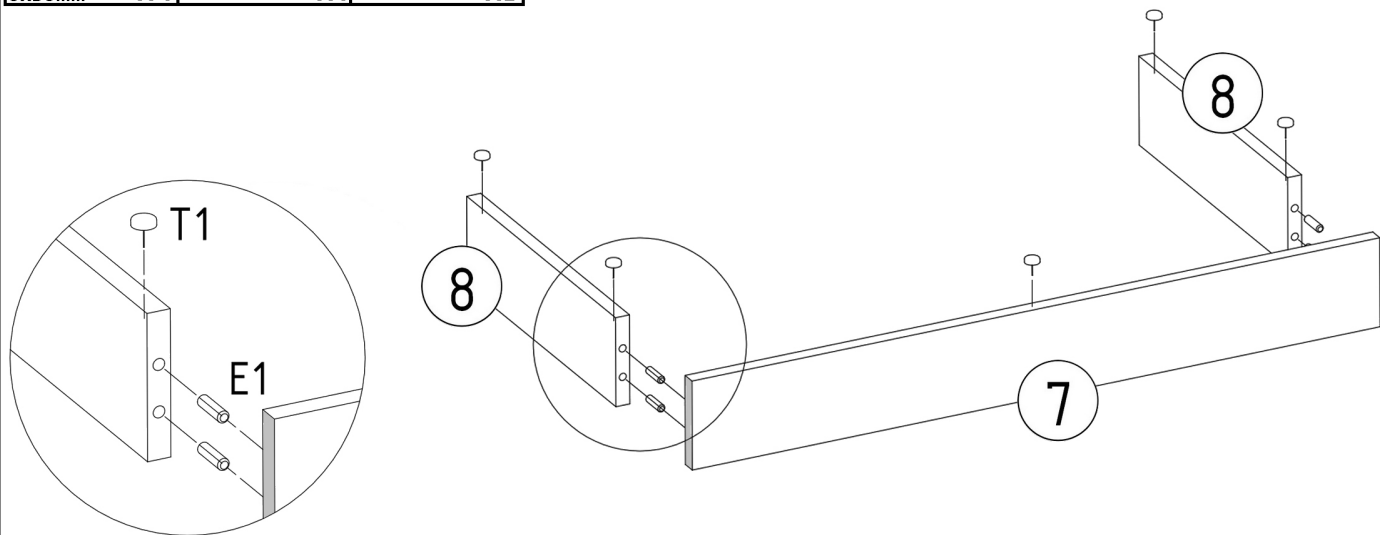
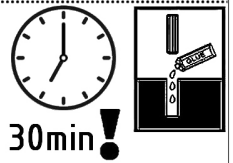
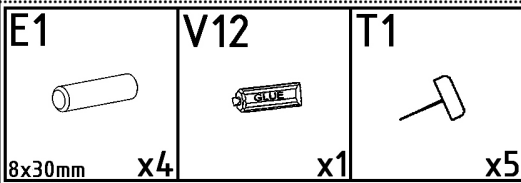
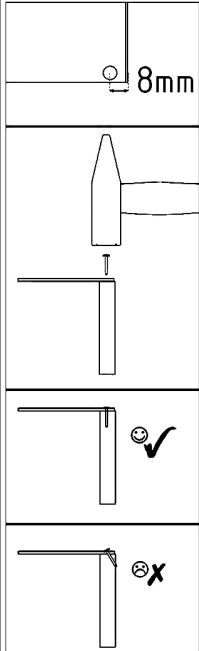
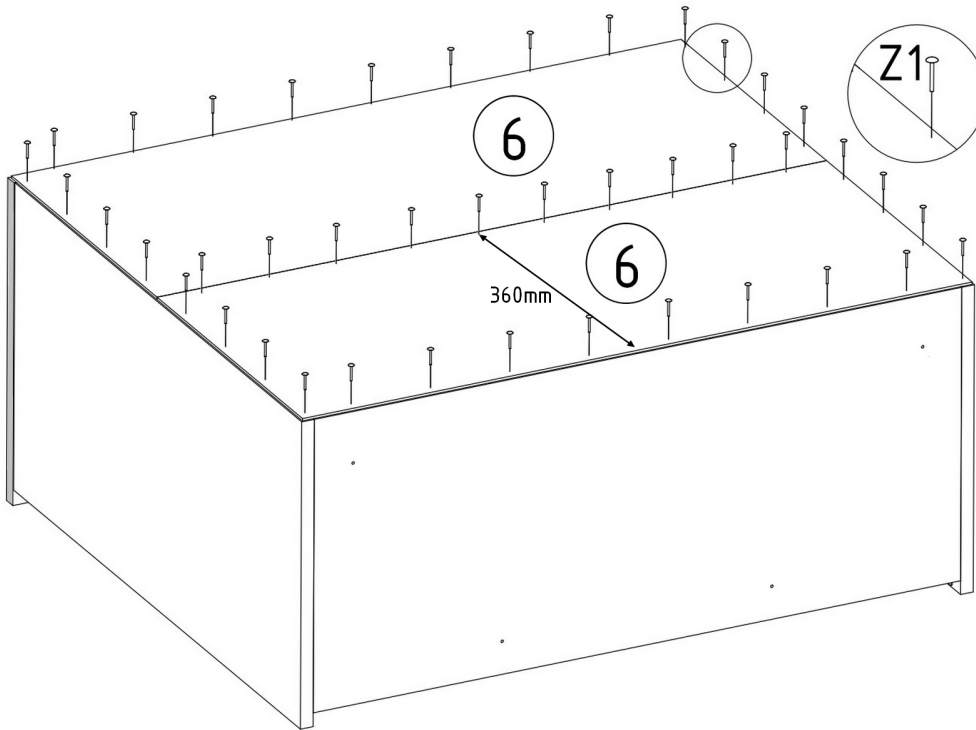
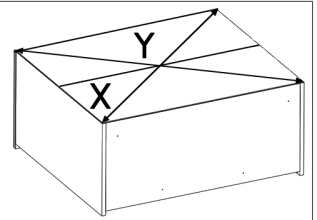
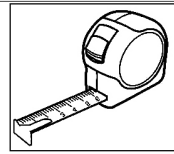
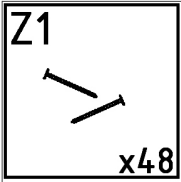
E1  8x30mm	M1  12x15mm
x10	x10

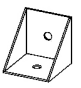



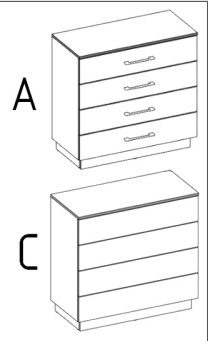
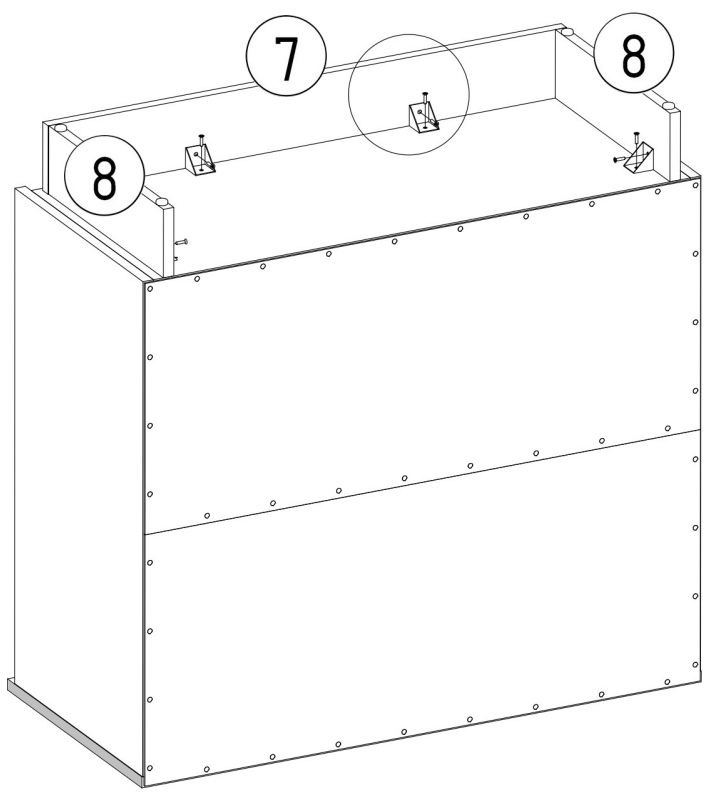
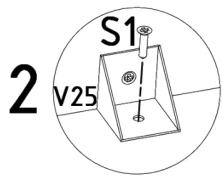
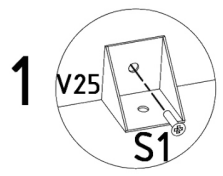
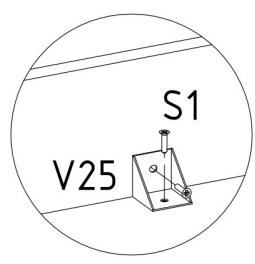
M1  12x15mm	E1  8x30mm
x4	x6


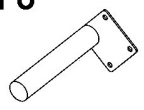


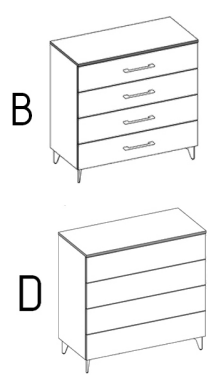
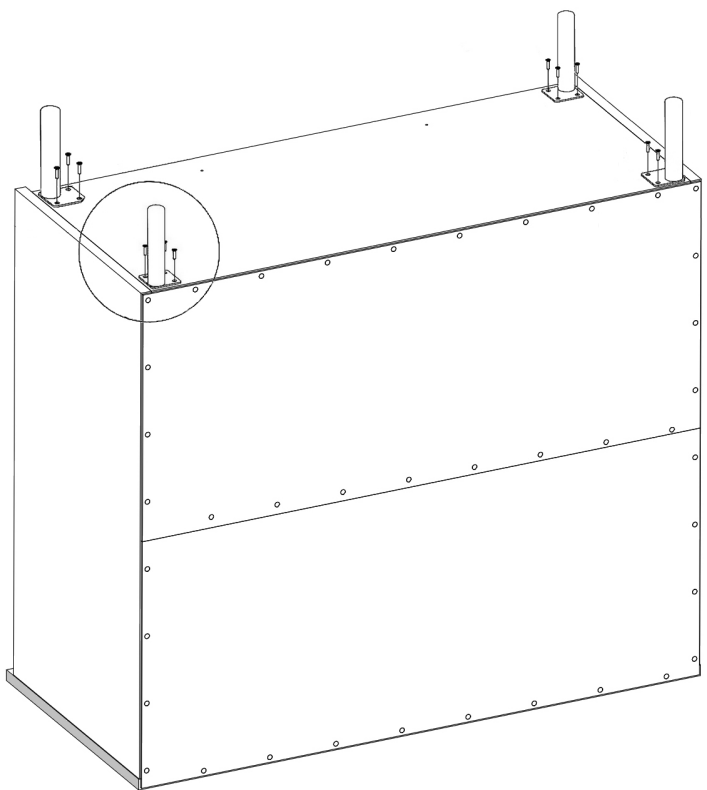
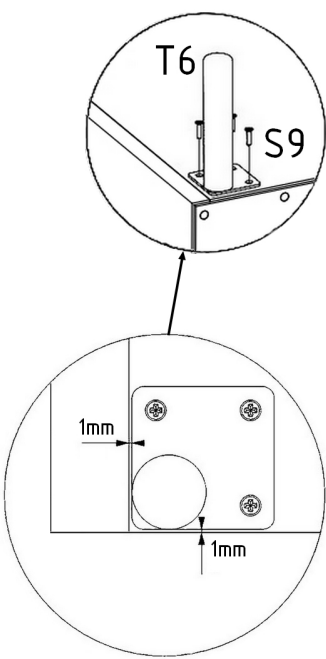




V25	S1
	
x4	x8
3,5x16mm	



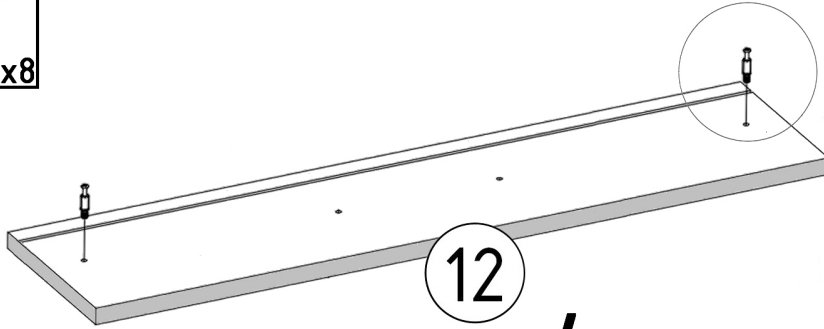
S9	T6
	
x12	x4
4x16mm	H=100mm



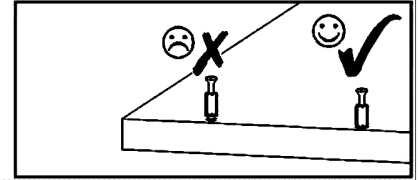
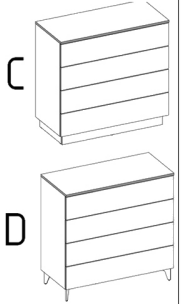
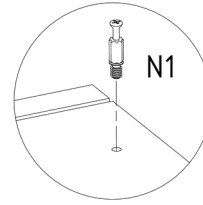
N1



L=35mm x8



12
x4



N1



L=35mm x8

R7

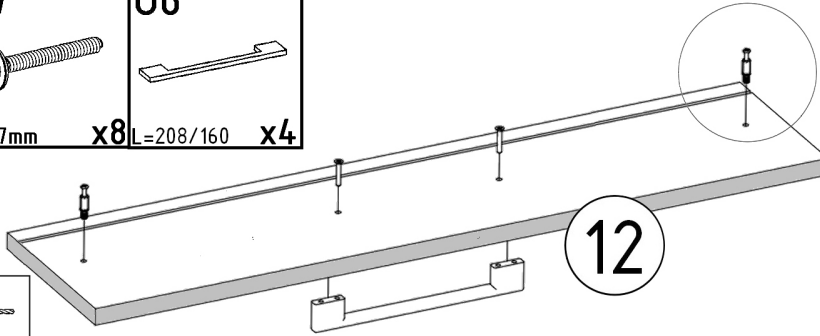


4x27mm x8

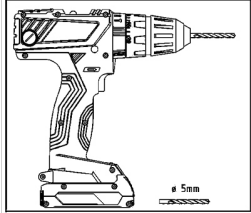
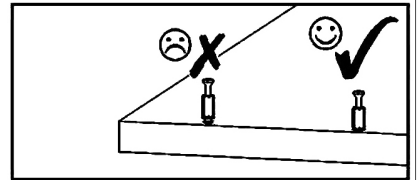
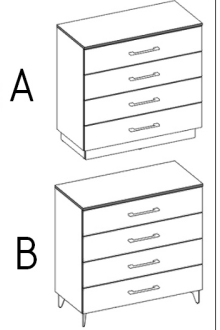
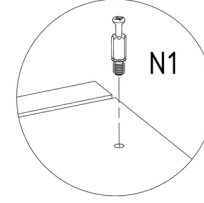
U6



L=208/160 x4



12
x4

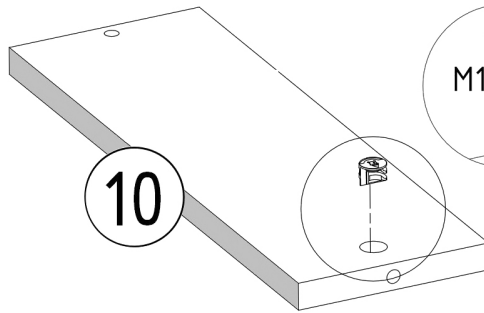


!

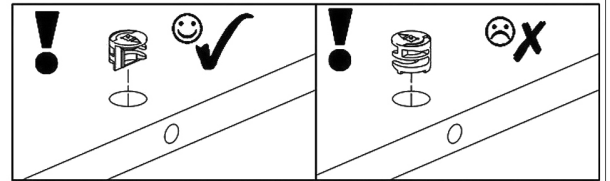
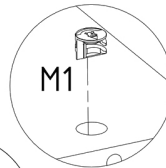
M1



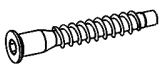
12x15mm x8



10
x8

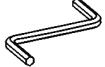


F1

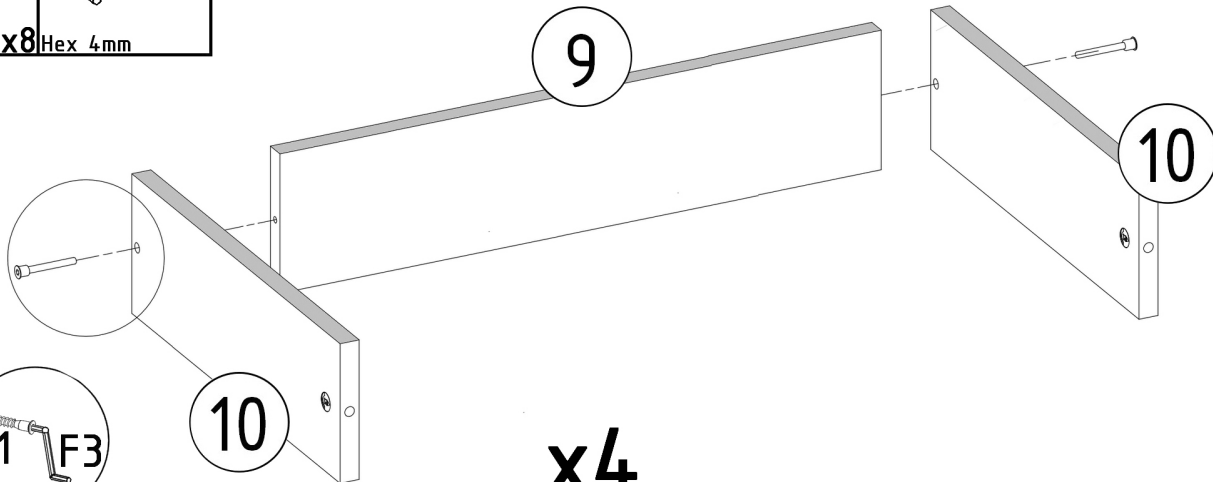


7x50mm x8

F3



Hex 4mm




9
x4

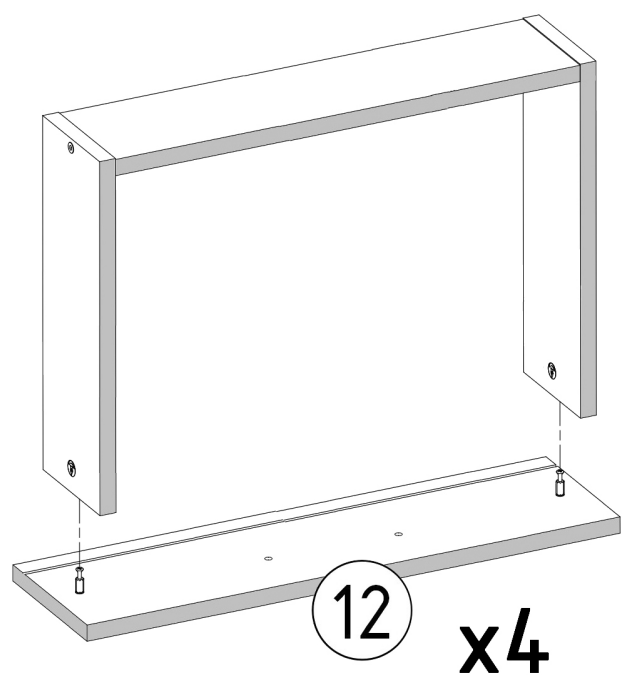
10
x4

F1
F3

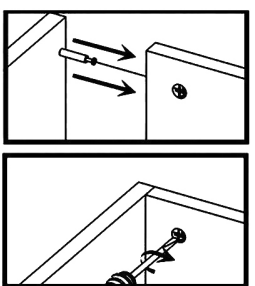
B1



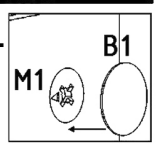
ø17/4mm **x8**



1.

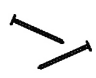


2.

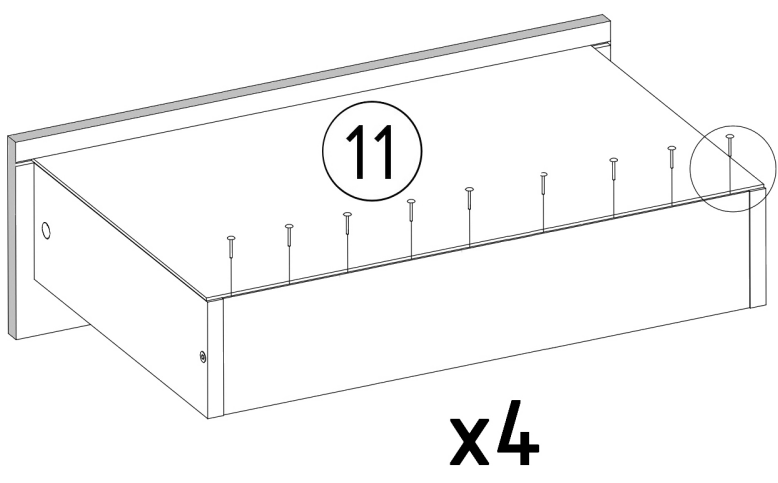
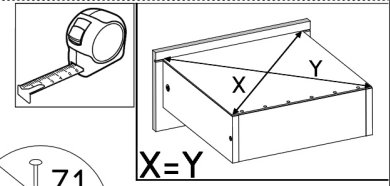


M1 **B1**

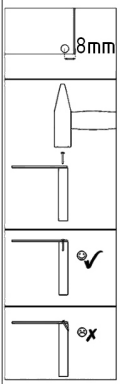
Z1



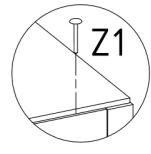
x32

X=Y




ø8mm

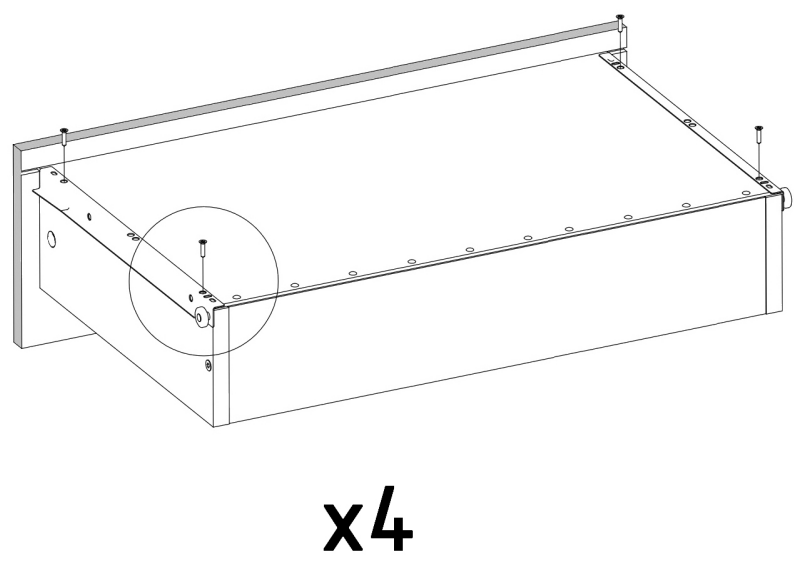
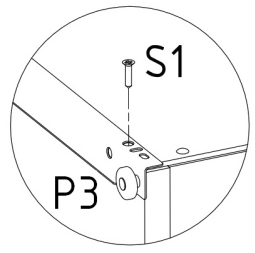


Z1

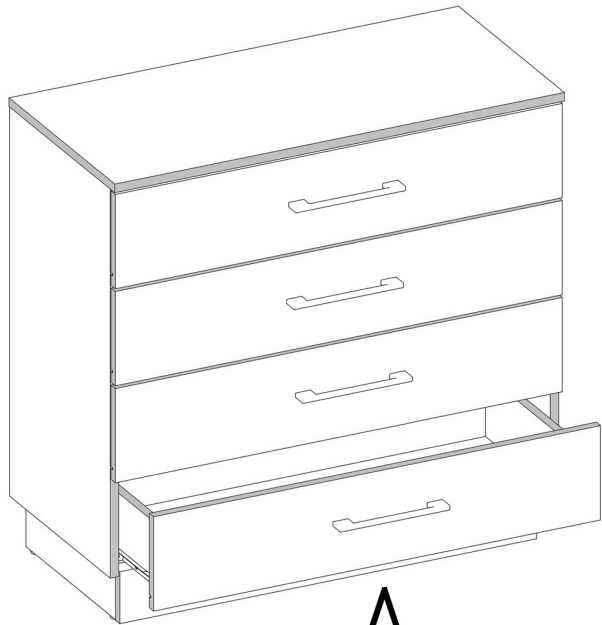
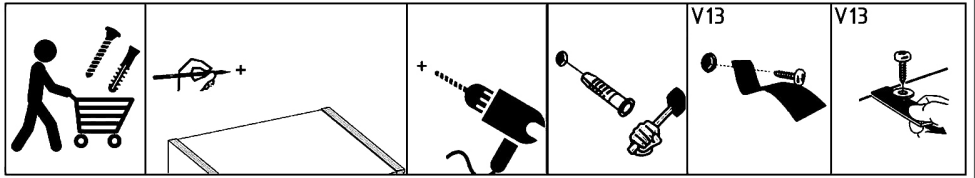
S1 **P3**



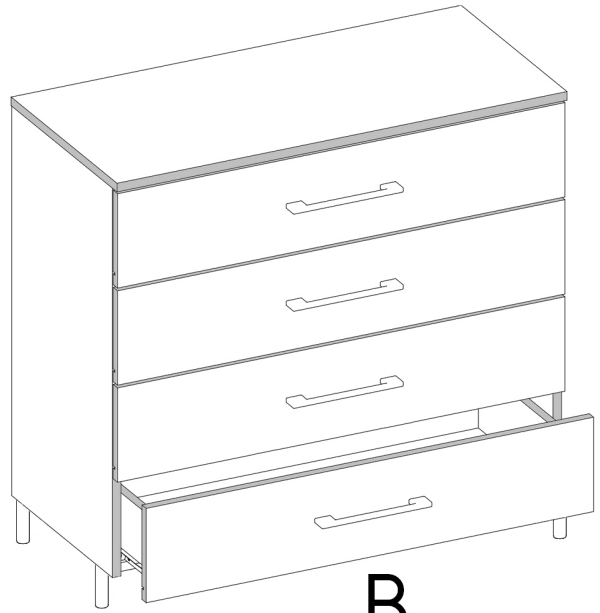
3,5x16mm **x16** L=350mm **x4**

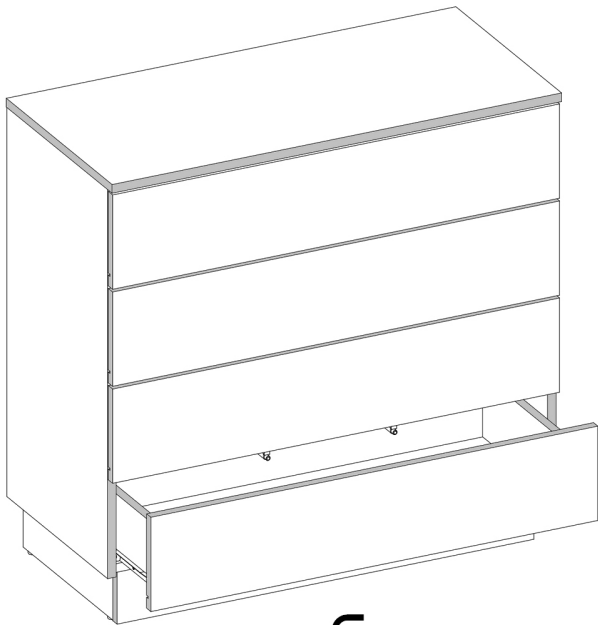
S1 **P3**



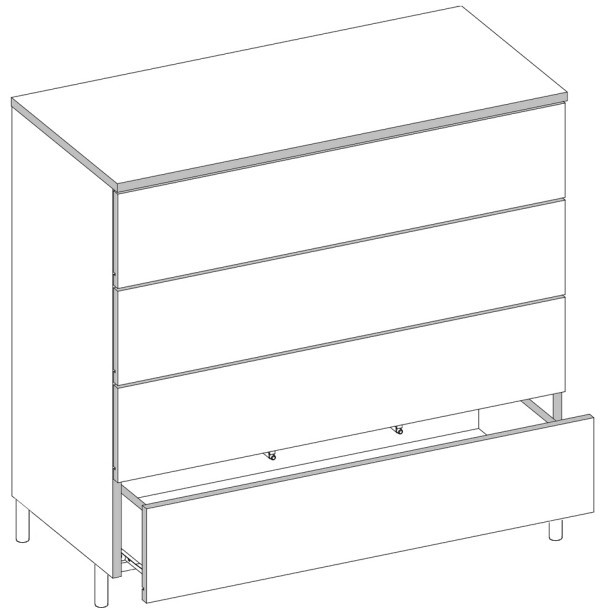
A



B



C



D